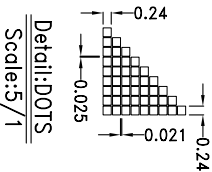
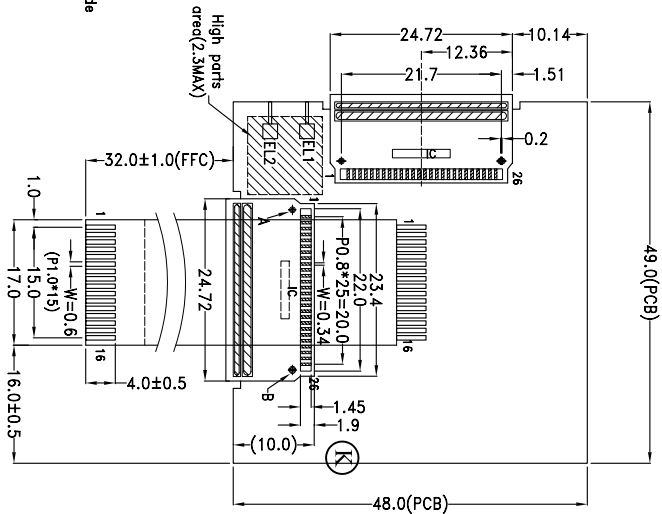
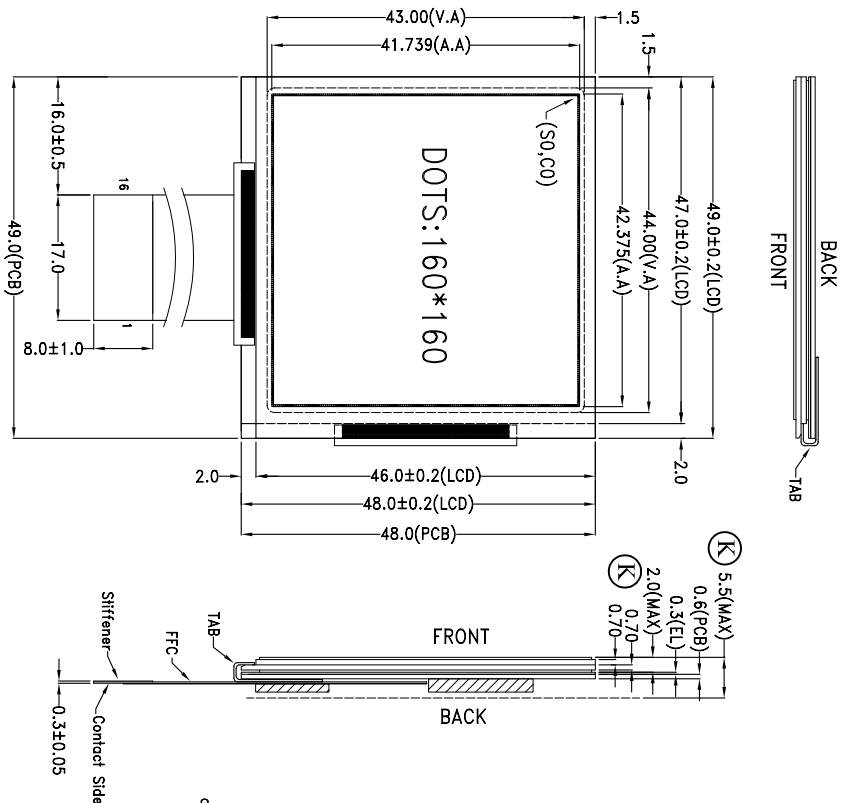


Display Type	FSTN / TRANSLECTIVE / POSITIVE
Display Resolution	160*160
Viewing Angle	6:00
Max.Ratio and Bias Level	1/160 DUTY, 1/13 BIAS
LCD Controller/Driver	RA8820 (COB), NT7701H-TABF2(2PCS)
Logic Voltage	3.3V
LCD Driving Voltage	16.0±0.5V
Operation Temperature	-20°C TO 70°C
Storage Temperature	-30°C TO 80°C
Backlight Speciality	EL (BLUE)
Remark	Build-in DC/DC booster and temperature compensation circuit

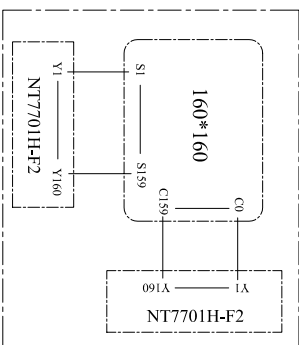
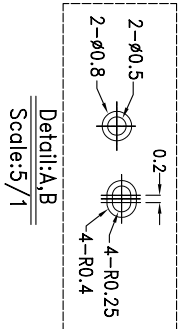
NOTE:

Marked with "()" are referenced



(K) FFC ASSIGNMENT

1	E	9	D3
2	R/W	10	D4
3	A0	11	D5
4	PWR	12	D6
5	RESET	13	D7
6	DO	14	VDD
7	D1	15	GND
8	D2	16	NC



ISSUE	MODIFY DESCRIPTION	DATE
A	First Issue	04.10.22
B	Modify LCD	04.10.27
C	Modify LCD	04.10.28
D	See the note	04.11.02
E	Modify LCD and PCB	04.11.08
F	Modify LCD (A.A, V.A)	04.11.09
G	Modify FFC	04.11.12
H	Modify FFC	04.12.14
I	Modify FFC, EL, Add IC	05.04.12
J	Modify EL	05.04.14
K	Modify LCD	05.05.30

TITLE:	BEYONDTEK, INC.		
ITEM NO:	BTG-161617T-WT6WEB		
PROJECT NO:			
DESCRIPTION:	160 x 160 FSTN TAB		
TOLERANCE UNLESS:	X.X±0.3		
OTHERWISE SPECIFIED:	X.XX±0.2		
THIRD ANGLE PROJECTION			
NAME	SIGN	DATE	
DRAWN	Yin xiao lian	05.05.30	
CHECKED	Deng yu yuan		
APPROVED	Wang zhao cai		
REV.: K	UNIT: mm	SCALE: 1/1	SHEET: 1 OF 1