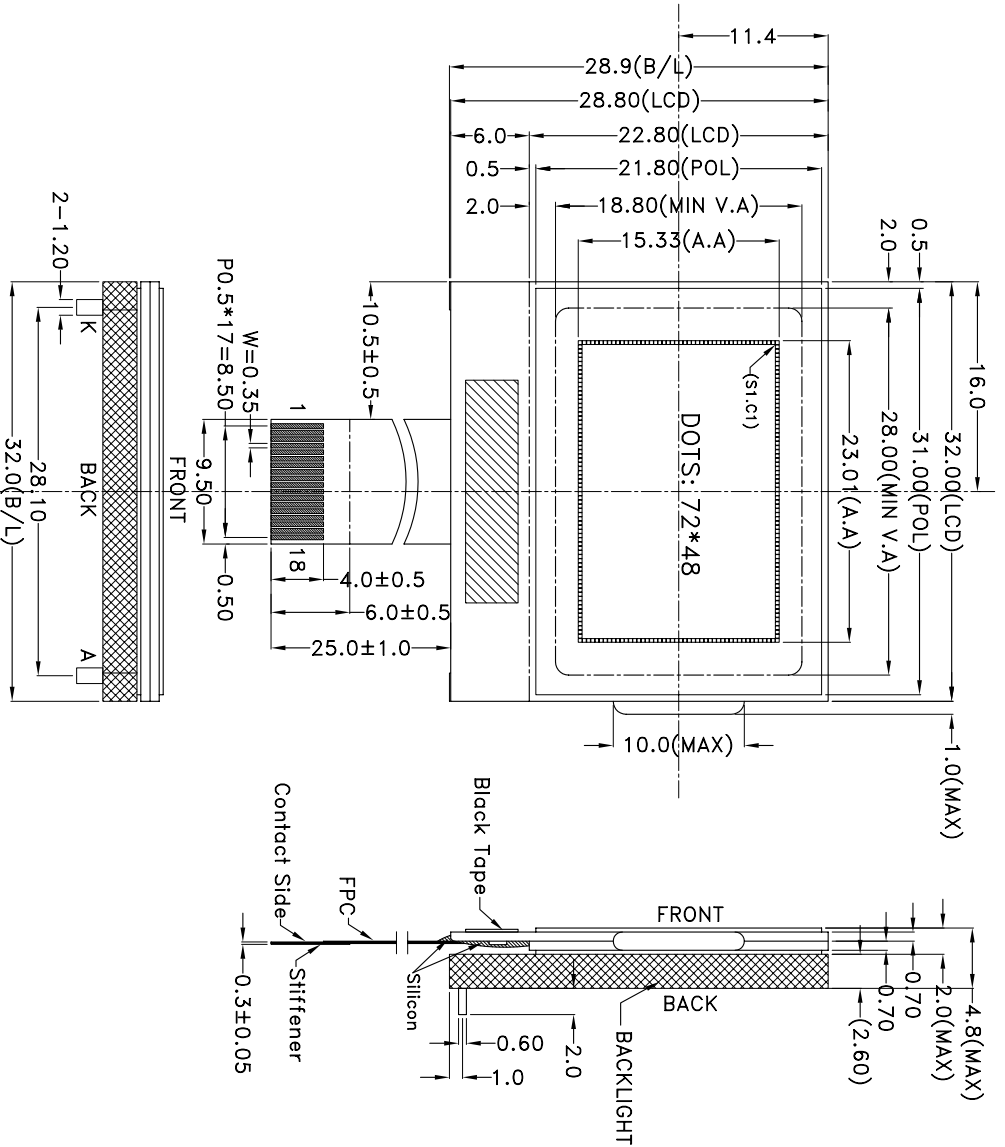
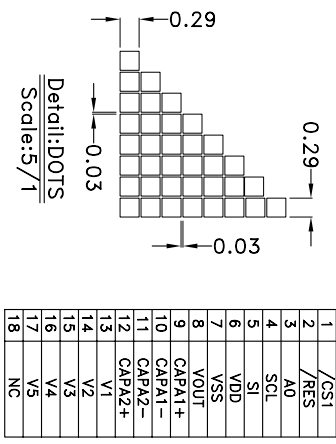
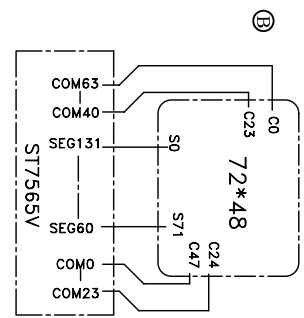


ISSUE	MODIFY DESCRIPTION	DATE
A	First Issue	05.25.05
B	Modify IC	06.03.05



Display Type	STN BLUE / TRANSMISSIVE / NEGATIVE
Display Resolution	72*48
Viewing Angle	6:00
Max.Ratio and Bias Level	1/49 DUTY, 1/8 BIAS
LCD Controller/Driver	ST7565V(COG) ⑩
Logic Voltage	3.0V
LCD Driving Voltage	7.1V
Operation Temperature	-10°C TO 60°C
Storage Temperature	-20°C TO 70°C
Backlight Speciality	LED SIDE(WHITE), 1PCS LED dies, Lv:30cd/m ²
Remark	



COMPANY:	BEYONDTEK, INC.		
DRAWING NO:	M0963		
PART NO:	BTG-070491G-BS6WLW		
DESCRIPTION:	72X48 COG STN BLUE		
TOLERANCE UNLESS:	X.X±0.3		
OTHERWISE SPECIFIED:	X.XX±0.2		
THIRD ANGLE PROJECTION			
NAME	SIGN	DATE	
DRAWN	Yin xiao lian	06.03.05	
CHECKED	Li hua ming		
APPROVED	Wang zhao cai		
REV: B	UNT: mm	SCALE: 1/1	SHEET: 1 OF 1